

# COLD FORMED COMPONENTS

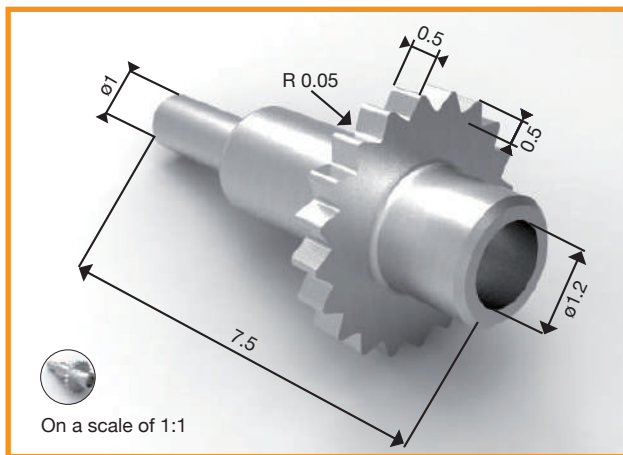
Precision even to the last detail



With finely honed techniques acquired from many years of experience in the field of miniature production, our sophisticated line of high quality miniature cold formed components have won over discerning customers looking for precision and accuracy.

## Features & Benefits

- Constant dimension and shape accuracy
- Fine gear forms and threads
- Eccentric shapes
- High-load capacity thanks to work hardening



## Dimensions & Tolerances

- Minimum Diameter :  $\geq 0.5$  mm
- Minimum Length :  $\geq 2$  mm
- Minimum Hole Diameter :  $\geq 0.4$  mm
- Length Tolerance :  $\geq 50$  micron (IT10)
- Diameter Related Tolerance :  $\geq 14$  micron (IT8)
- Bore Tolerance :  $\geq 25$  micron (IT9)
- Surface Roughness : Up to Ra 0.2

Dimensions and tolerances depend on component, material and process route, and must be considered individually.



## Riding on Our Competitive Edge in Technology, We Offer:

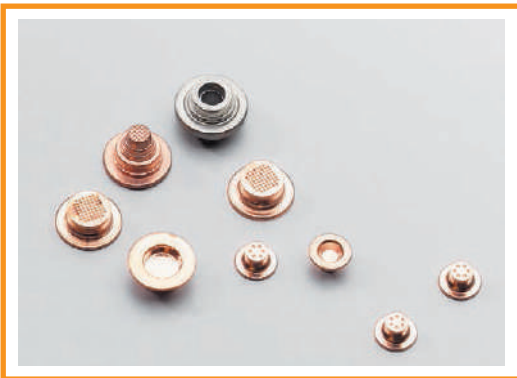
- In-house tool design and manufacturing
- Many years of experience in the field of miniature production
- State-of-the-art production equipment
- Complete process chain in-house
- Tool simulations to help design the most economic production process
- Rapid prototyping



**Improved material mechanical strength through plastic deformation as a result of transfer arm cold forging process**

- Ability to produce intricate features in components
- Increased production efficiency
- Savings in raw materials
- Reduces / eliminates the need for secondary processes
- Improved tool life

**Applications**



Copper electrodes for gas discharge tubes



Fasteners and aluminium bushings for hearing aids



Magnetic soft iron cores for the electrical industry



Components for the automotive and electrical industry



Unisteel Technology Limited  
Tel : +65 6634 6366  
Email : sales@unisteeltech.com

[www.unisteeltech.com](http://www.unisteeltech.com)

A member of **SFS**