

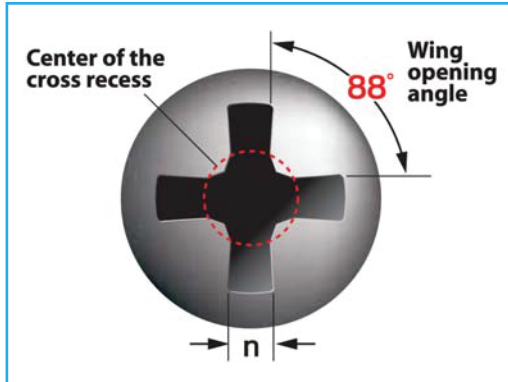
TOTSUPURA®

The enhanced cross recess screw that promises better performance and reliability

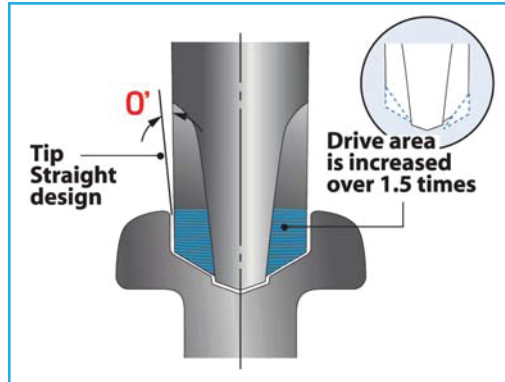
TOTSUPURA® is a newly designed cross recess drive for fasteners that prevents screw tightening errors, stabilizes quality, improves productivity and reduces production costs. With its mega thin head design, TOTSUPURA® provides the ideal choice for customers requiring ultra-small precision screws.



Features & Benefits



Wide 88° wing angle and a wide tip (n) whilst maintaining the same recess centre design as a conventional cross recess



Near straight 0° sidewalls with a drive area that is twice the size of a conventional cross recess

- Cross shaped with near-straight wall eliminates camout and promotes higher torque transmission. Fatigue and muscular stress is reduced during the manual assembly of fasteners
- Wide recess wing width increases tool engagement, resulting in extended tool life
- With a wide drive area, the screw driving force per unit area is small which prevents damage to the recess and helps extend driver bit life
- Reduces assembly cost as a result of longer driver bit life
- Automation compatibility and multiple cycle serviceability with no damage on recess
- Extremely thin screw head makes it an ideal design for ultra-small precision screws
- Suitable for all types of materials and head screws

Size Range

- M1.6 – M6.0

Applications

- Mobile phones
- Electronic devices
- Electrical appliances

TOTSUPURA® is a registered trademark of HIOS Inc.



Unisteel Headquarters
Unisteel Technology Limited
Tel : +65 6634 6366
Email : sales@unisteeltech.com

www.unisteeltech.com

A member of **SFS**